

Starter

1) Write the place value of the underlined digit under each of the numbers.

27, <u>5</u> 02	<u>7</u> 1,918	13 <u>2</u> ,825	7 <u>4</u> 9,327	28,1 <u>7</u> 6
500				

5 <u>1</u> 3,295	<u>8</u> 34,247	<u>3</u> 6,429	62 <u>5</u> ,231	<u>9</u> 17,438



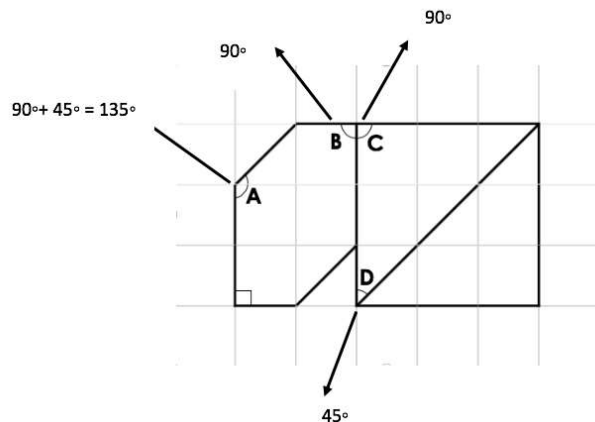
Summer week 6 Lesson 5 – 05.06.20

LO: To calculate length and angles in shapes

Success Criteria:

1. Remember right angles = 90°
2. Half a right angle = 45°
3. Angles on a straight line = 180°
4. Angles on a point = 360°

Model



What do you know about the angles in this shape?

Various answers, for example:
 $A + B + C + D + E = 360^\circ$ $A + B + C = 180^\circ$ $E + D = 180^\circ$
 $B + C + D = 180^\circ$ $A + E = 180^\circ$

$B + C + D$ = angles on a straight line.

$A + E$ = angles on straight line

$A + B + C + D + E$ = angles around a point.

Now complete these:

1a. Calculate the length of sides A, B and C.

2a. Calculate angles A and B.

3a. Side A is 6cm. True or false?

4a. Match the angles and lengths to the shape.

- 270°
- 3cm
- 5cm
- 90°

Canonbury Home Learning
Year 5 Maths

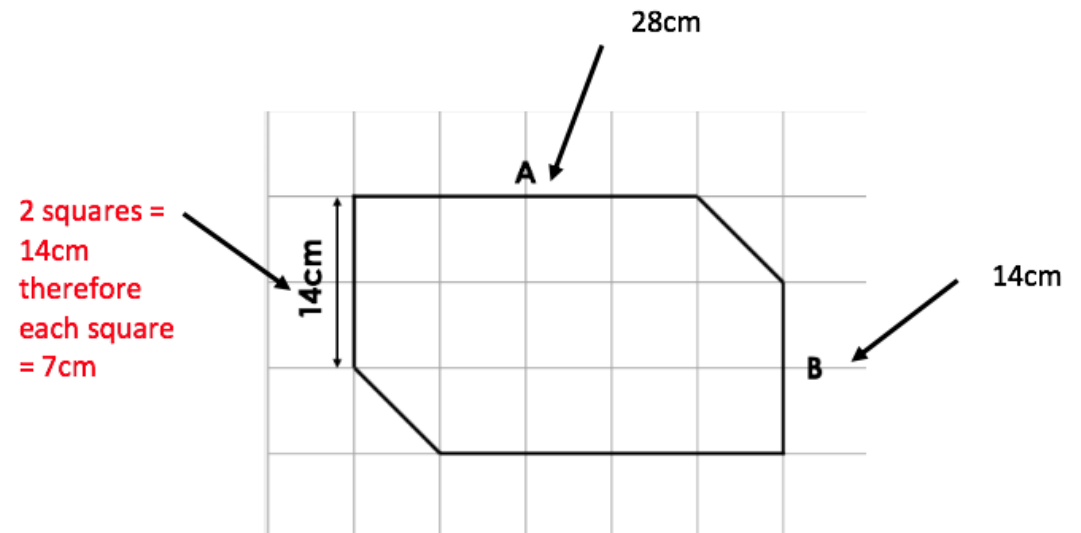
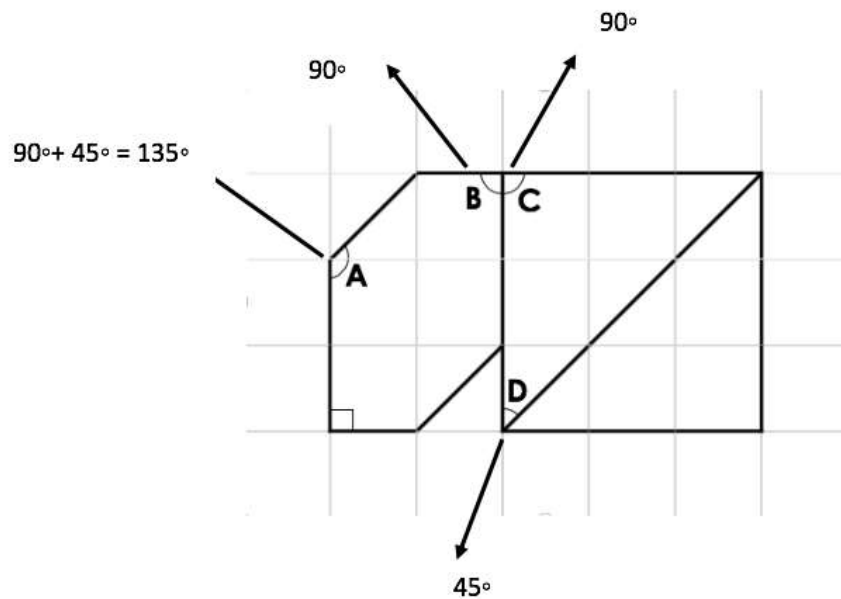
Summer week 6 Lesson 5 – 05.06.20

LO: To calculate length and angles in shapes

Success Criteria:

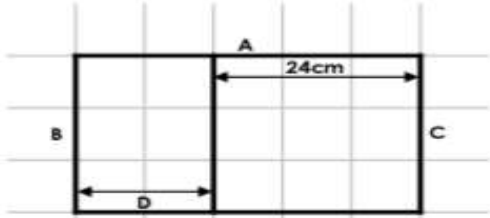
1. Remember right angles = 90°	2.
3. Half a right angle = 45°	4.
5. Angles on a straight line = 180°	6.
7. Angles on a point = 360°	8.

Model:



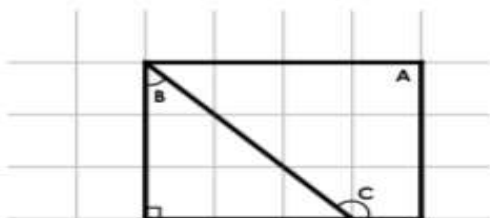
Task 1

5a. Calculate the length of sides A, B, C and D.



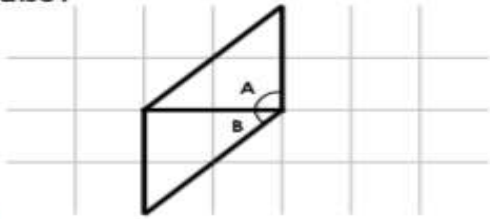
VF

6a. Calculate angles A, B and C.



VF

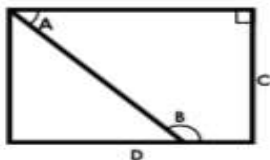
7a. Angle A and Angle B total 145° . True or false?



VF

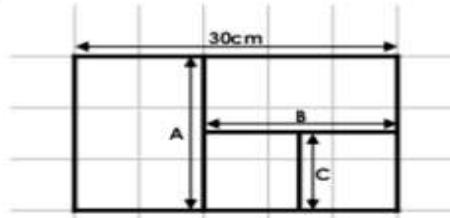
8a. Match the lengths and angles to the shape.

- 1. 12cm
- 2. 135°
- 3. 45°
- 4. 9cm



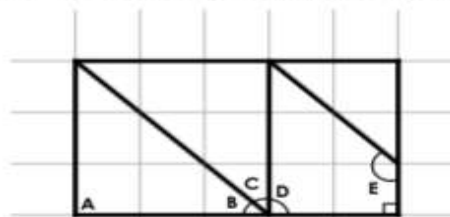
Task 2

9a. Calculate the length of sides A, B and C.



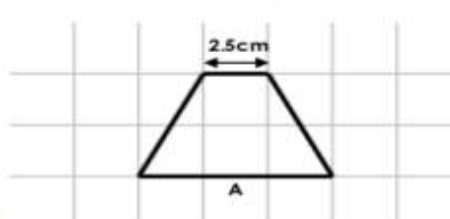
VF

10a. Calculate angles A, B, C, D and E.



VF

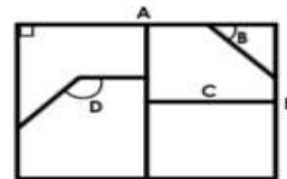
11a. Side A is 7cm. True or false?



VF

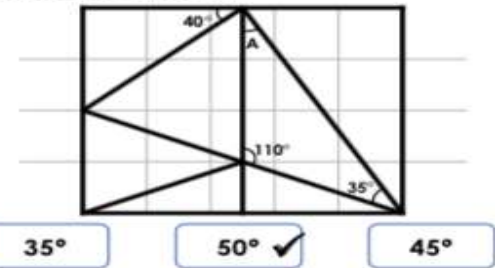
12a. Match the lengths and angles to the shape.

- 1. 9cm
- 2. 12cm
- 3. 45°
- 4. 135°
- 5. 6cm



Task 3

7a. Liam thinks he has picked the correct degrees for angle A.



35°

50° ✓

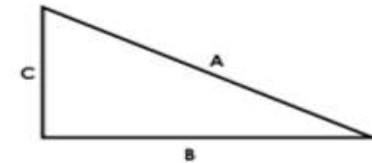
45°

Do you agree? Explain why.



R

8a. Bridget has a triangle with a perimeter of between 15cm and 30cm. Side A is 2cm longer than side B. Side B is 5cm longer than side C.



What length is each side? Give 3 possible answers.



PS

9a. Jordan and Tia are calculating angles in a shape.



Jordan

A quadrilateral always has at least one right angle.



Tia

A quadrilateral sometimes has a right angle but can have angles less and more than 90° .

Who is correct? Why?